

Le specifiche potrebbero cambiare senza obbligo di preavviso / The specifications may change without advance notice

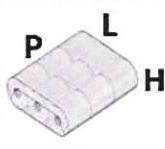
**Technical data**

Machine format sizes	Multi-format machine
Mechanical speed (cycles/min.)	200
Production speed	depending on pack format

**Roll size range (B and K)**

Diameter (mm)	90-165 (*200 optional)
Length (cut off) (mm)	90-280

**Machine production range**

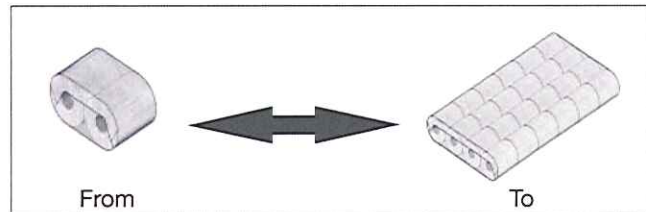
L width (mm)		100-600
P depth (mm)		180-620 (*95 optional)
H height (mm)		90-200
L width* (mm)		opt 90-600
Format size change over time	average 10-20 minutes	
Poly reel change over time	average 3 minutes	
Wrapping material	polythene and other heat-sealable materials 25-45 microns	

**Reel dimensions**

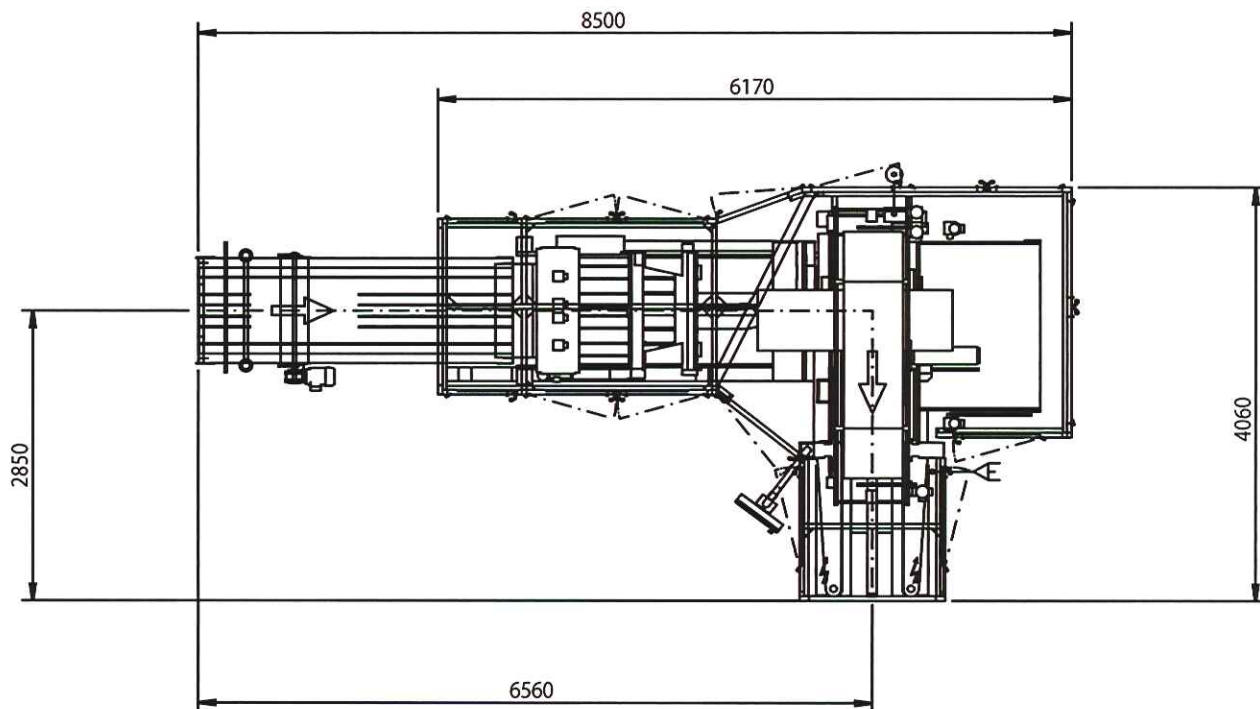
Max. length (mm)	1400
Max. diameter (mm)	600
Core diameter (mm)	70-76
Operating pressure	6 bars
Air consumption	300 NL/min
Installed power	55 Kw approx.
Weight	9.500Kg

# WRAPPER ONE LAYER 220

**Gamma completa di produzione  
Complete production range**



**Configurazioni opzionali  
Optional settings**



packaging technology

**PACKAGING LINES FOR TISSUE**

DP srl Via X Settembre 1943, N.6 - 40011 Anzola dell'Emilia ( Bologna ) Italy

Tel: +39 051731188 - Fax: +39 051735396 - [www.dpitaly.com](http://www.dpitaly.com)